

GJC-T50 Knuckle Catch

Features

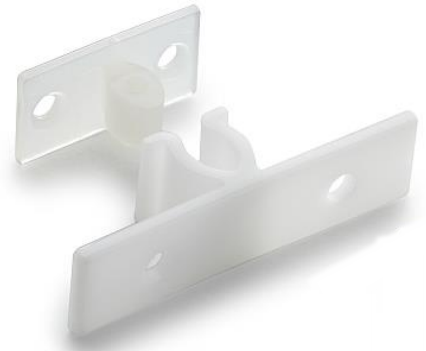
- Can be used for overlay and inset door
- Suitable for various applications such as swing doors, and drawers, etc.
- Passed 100,000 life cycle test

Notes

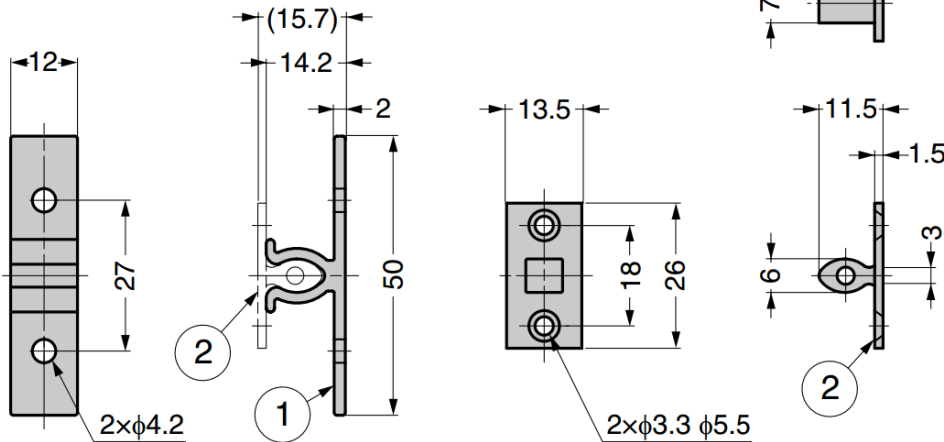
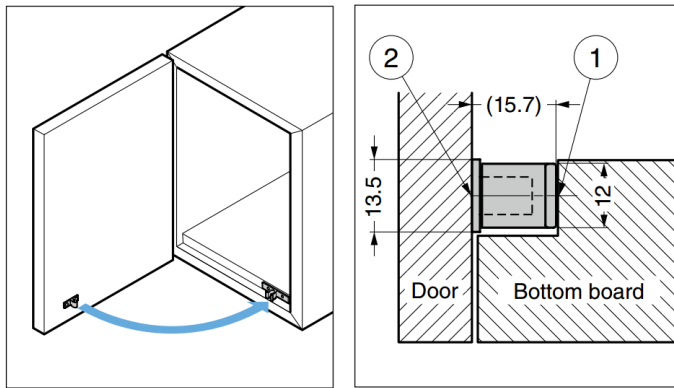
- Catch force may vary depending on application environment

Parts Included

- Binding head tapping screw 4×16 (for body installation)
- Countersunk head tapping wood screw 2.7×16 (for striker installation)



Installation



No.	Part Name	Material	Colour
①	Body	POM	Natural
②	Striker	PA	

Part No.	Push-In Force		Pulling Force	
GJC-T50	19 N	1.94 kg	19 N	1.94 kg